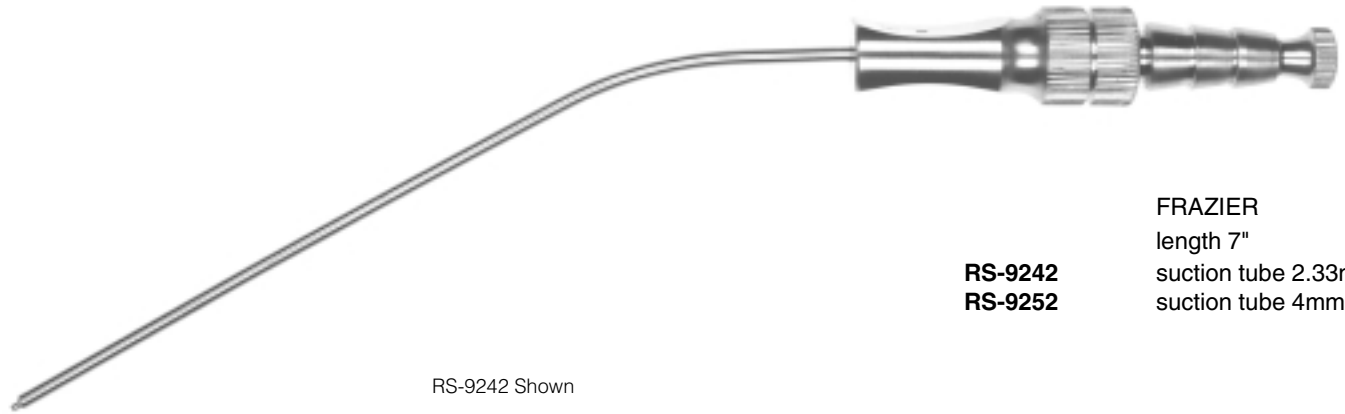


Miscellaneous





RS-9242 Shown

RS-9242
RS-9252

FRAZIER
length 7"
suction tube 2.33mm
suction tube 4mm



ST-1538

Durapore™ Surgical
Tapes, 1/2" x 10 yd,
pack of 24 rolls

1-800-424-2984
www.roboz.com



with 2x Magnifications (2.5x with Accessory Lenses) coated lenses for minimum loss of light

RS-6680 Binocular magnifying loupe mounted on spectacle frame that can be fitted with the wearer's usual corrective lenses. with carrying case

FEATURES:

- Light weight
- 30cm focal distance
- 10cm viewing area
- Elimination of error of telescopic parallax
- Magnification 1.8x without distortion of position
- Comfortable 12" working distance
- Adjustable pupillary distance
- Individually adjustable lenses
- Comfortable peripheral vision
- Loupe flips up-out of field of vision

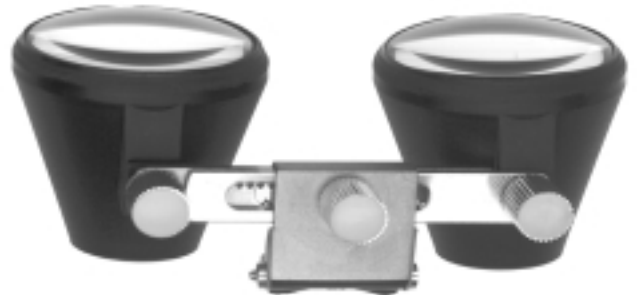


75% of Actual Size

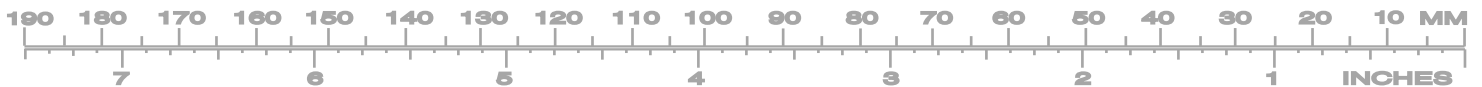
RS-6682 Magnifying Loupe only

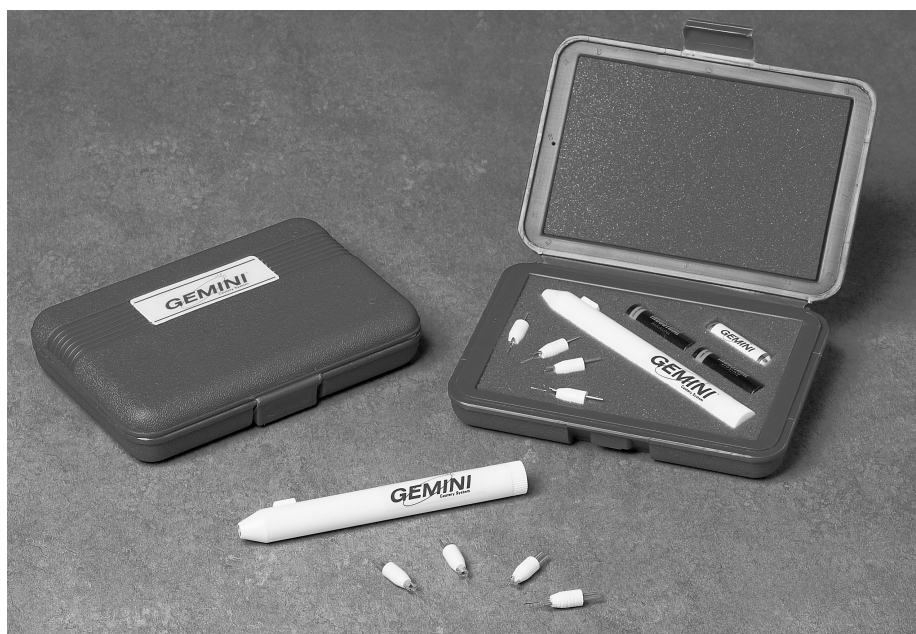
FEATURES:

- Light weight
- 30cm focal distance
- 10cm viewing area
- Elimination of error of telescopic parallax
- Magnification 1.8x without distortion of position
- Comfortable 12" working distance
- Adjustable pupillary distance
- Individually adjustable lenses
- Comfortable peripheral vision
- Loupe flips up-out of field of vision



RS-6684 Accessory Clip-on lenses
2.5x magnification
17cm focal distance
4.5cm viewing area





GEMINI™
Cautery System

- RS-300** Gemini Two Temperature Cautery Kit contains: handle and 2 - 5mm tips and 2 - 10mm tips
- RS-301** 5mm replacement tips pack of 10
- RS-302** 10mm replacement tips pack of 10

TECHNICAL DATA:

Length (without tip): 160.75mm

Weight (with two AA batteries): 78g

Electrical: 3 volts, 1.5 volts

Tip Sizes: 5x 1mm, 10x 1mm



RS-302



RS-301

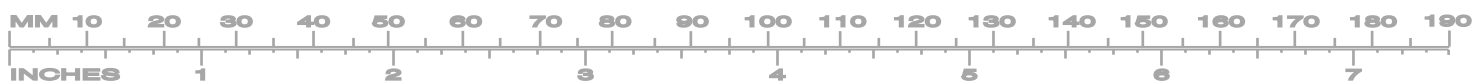
The GEMINI CAUTERY SYSTEM is the perfect tool for your cauterizing needs. The unique tip sizes combined with two different operating temperatures allow for maximum versatility. The convenient battery spacer converts the hand piece from high temperature to low temperature.

The Gemini Cautery Unit has the following features:

- Simple tip design for easy replacement
- Uses standard AA batteries
- Easy screw cap for convenient battery replacement
- Hard plastic case with die cut foam for convenient storage
- Battery spacer for optional temperature operation
- One year warranty



- RC-5902** Disposable Clipper with charger and two blades
- RC-5902RB** Pack of five disposable blades





Not Actual Size

RC-5903 Mini-Clipper with no. 0000 blade
 UL Listed. Operates on 120 volts AC, weight 26 oz. Insulated 8 ft. cord, double insulated unit.

RC-5903-RB Replacement blade for RC-5903



Not Actual Size

RC-5904 Cordless/Rechargeable Clipper with no. 0000 blade
 UL Listed. Operates on battery or cord. Comes with recharging unit and 8 ft. cord. weight 1.2 lbs.

RC-5904-RB Replacement blade for RC-5904



RS-5905 Shown
 Not Actual Size

RC-5905 A-5 Clipper with detachable blade with No. 10 blade
RC-5906 with No. 40 blade
 UL Listed. Operates on 120 volts AC weight 26 oz. This clipper is double insulated and meets OSHA specifications. Weight 26ozs.

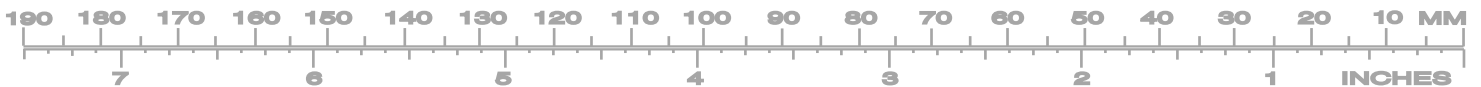
RC-5910 **A-5 replacement blades** medium-general hair length 1/16" size 10

RC-5911 for clipping surgical area hair length 1/100" size 40

RC-5912 for clipping surgical area hair length 1/125" size 50

RC-5920 Spray Disinfectant, 14 oz.

RC-5921 Spray Lubricant, 16 oz.





Disposable Feeding Needles plastic ball & hub malleable cannula, shipped in boxes of 5

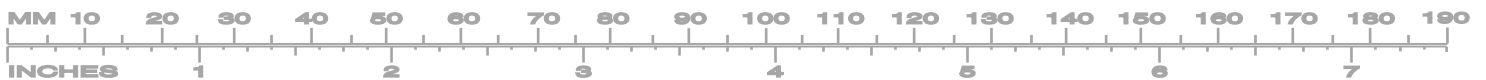
Cat. # Gauge & Length

FN-9921 22G - 1.5" - straight

FN-9918 18G - 2" - straight

REUSEABLE FEEDING NEEDLES
Stainless Steel

<i>Cat. #</i>	<i>Gauge & Length</i>	<i>Ball Diameter</i>	<i>Cat. #</i>	<i>Gauge & Length</i>	<i>Ball Diameter</i>
STRAIGHT			CURVED		
FN-7900	24G - 1"	1.25mm	FN-7910	20G - 1.5"	2.25mm
FN-7901	22G - 1"	1.25mm	FN-7911	20G - 3"	2.25mm
FN-7920	22G - 1.5"	1.25mm	FN-7913	18G - 2"	2.25mm
FN-7921	20G - 1"	2.25mm	FN-7914	18G - 3"	2.25mm
FN-7903	20G - 3"	2.25mm	FN-7916	16G - 3"	3mm
FN-7905	18G - 2"	2.25mm	FN-7917	14G - 3"	4mm
FN-7906	18G - 3"	2.25mm			
FN-7908	16G - 3"	3mm			
FN-7909	14G - 3"	4mm			
FN-7944	20G - 1.5"	2.25mm Malleable			





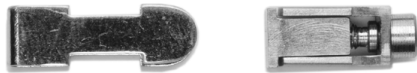
65-9900 Ear Punch
2mm
length 2"



65-9901 Ear Punch
length 4"
1mm
65-9902 2mm

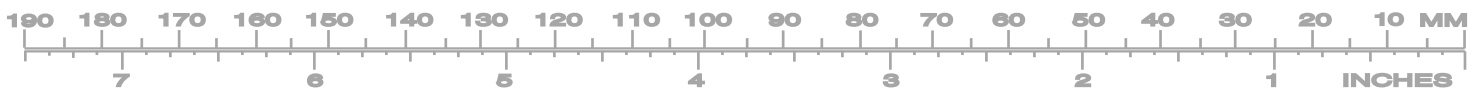


RS-5475 Renal Artery Clamp,
4mm



37-5950 Chung Hook,
20mm length,
3mm hook

Not Actual Size



IN-5

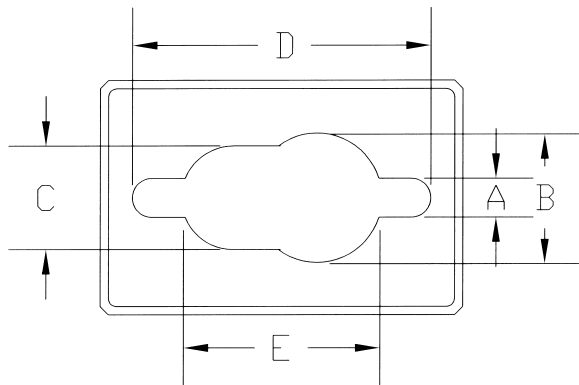
Sharpening Stone
fine 350 grit
3 grooved sides
1 flat side
great for sharpening
injection needles
length 3"



RS-9950

TAYLOR PERCUSSION
HAMMER
overall length 7"





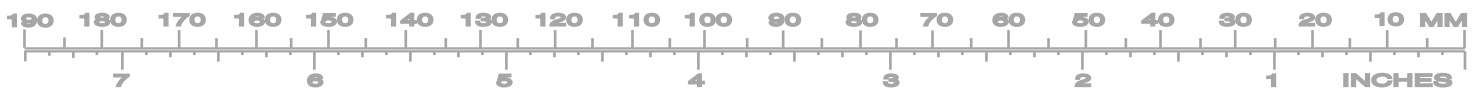
Acrylic Matrices

Acrylic Matrices are precisely machined and polished to insure reproducible sections. This allows either coronal (perpendicular to the center line) or sagittal (parallel to the center line) sections through the brain at 1mm intervals.

RS-9885 Alto Matrix Blades, 0.009mm, 3" x 7.5". pack of 25

Steel	Acrylic	Size	Dimension A	Dimension B	Dimension C	Dimension D	Dimension E	Cavity Depth
SA-2175	AL-1175	Mouse coronal (40-75g)	3.18mm	11.1mm	8.73mm	19.1mm	12.2mm	7.4mm
SA-2275	AL-1275	Mouse sagittal (40-75g)	3.18mm	11.1mm	8.73mm	19.1mm	12.2mm	7.4mm
SA-2130	AL-1130	Small rat coronal (175-300g)	4.76mm	15.9mm	12.7mm	36.6mm	23.8mm	7.61mm
SA-2230	AL-1230	Small rat sagittal (175-300g)	4.76mm	15.9mm	12.7mm	36.6mm	23.8mm	7.61mm
SA-2160	AL-1160	Large rat coronal (300-600g)	4.76mm	19.8mm	14.7mm	36.6mm	24.7mm	10.91mm
SA-2260	AL-1260	Large rat sagittal (300-600g)	4.76mm	19.8mm	14.7mm	36.6mm	24.7mm	10.91mm
SA-4130	AL-3130	Mouse Heart	—	12.7mm	—	19.9mm	—	9.7mm

The coronal brain matrices have an additional mid-line sagittal cut to aid in the separation of the left and right hemispheres. All divisions are 1mm apart,



**Technical Data:**

Length: (Without Burr): 17.5 cm

Diameter: 1.9 cm

Power: 6-Volts DC

Speed: 12,000 rpm

Stall Torque: 1.25 oz./in.

RS-6300

Ideal Micro-Drill

The **Ideal Micro-Drill™** is designed for research applications that require surgical burrs and trephines. The drill is constructed of light-weight aluminum alloy for balance and control and is powered by a rechargeable 6-volt nickel cadmium battery. Under normal operating conditions the unit will function for 8 hours between recharging.

The Ideal Micro-Drill™ has the following features:

- Rechargeable
- Light-weight design
- No special tools needed to change burrs
- Hard plastic case with die-cut foam for convenient storage
- Excellent balance and handling
- One year warranty

